

Sensor-switched LED floodlight

LS 300 S

black
EAN 4007841 067571
Article number 067571



LED

30 years (0 4,5h / day)

4000 K

4000K neutral white



infrared sensor
240°



max. 10 m



IP44



2 - 1000 lux



10 sec - 15 min



energy saving

3 years

manufacturer's
warranty steinel.de/
garantie



CE

Function description

Extremely bright, robust and vigilant: the LS 300 S sensor-switched floodlight. On-demand light for illuminating large areas around buildings. Infrared sensor with 240° angle of coverage and 12 m reach. Light output 2962 lm, colour temperature 4000 K, power consumption 29,5 W. Robust aluminium floodlight head. Available in black or white.

Technical specifications

Dimensions (L x W x H)	186 x 213 x 241 mm	Mechanical scalability	No
With lamp	Yes, STEINEL LED system	Reach, radial	r = 3.5 m (26 m ²)
With motion detector	Yes	Reach, tangential	r = 12 m (302 m ²)
Manufacturer's Warranty	3 years	Photo-cell controller	Yes
Settings via	Potentiometers	Luminous flux total product	2704 lm
Version	black	Measured luminous flux (360°)	2962 lm
PU1, EAN	4007841067571	Total product efficiency	92 lm/W
Application, place	Outdoors	Colour temperature	4000 K
Application, room	outdoors, all round the building, courtyard & driveway	Colour variation LED	SDCM3
Colour	black	Lamp	LED cannot be replaced
Includes corner wall mount	No	LED life expectancy (max. °C)	50000 h
Installation site	wall	Service life LED L70B50 (25°)	> 36000 h
Installation	Wall, Surface wiring	Drop in luminous flux in accordance with LM80	L70B10
Impact resistance	IK03	LED cooling system	Passive Thermo Control
IP-rating	IP44	Soft light start	No
Protection class	I	Twilight setting	2 - 1000 lx

Sensor-switched LED floodlight

LS 300 S

black
EAN 4007841 067571
Article number 067571



Technical specifications

Ambient temperature	from -10 up to 30 °C	Time setting	10 s – 15 Min.
Housing material	Aluminium	Basic light level function	No
Cover material	Glass transparent	Interconnection	No
Mains power supply	220 – 240 V / 50 – 60 Hz	Output	29,5 W
Power consumption	30,4 W	Colour Rendering Index CRI	= 80
Mounting height max.	4,00 m	Optimum mounting height	2 m
Sneak-by guard	Yes	Detection angle	240 °
Capability of masking out individual segments	Yes	Product category	Sensor-switched LED floodlight
Electronic scalability	No	Energieeffizienzklasse Lichtquelle	F

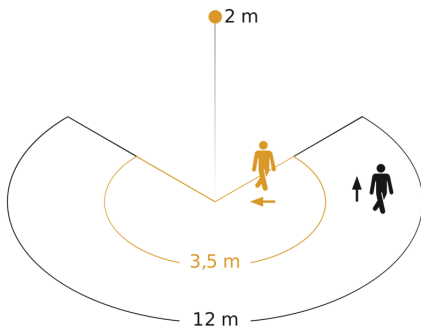
Sensor-switched LED floodlight

LS 300 S

black
EAN 4007841 067571
Article number 067571

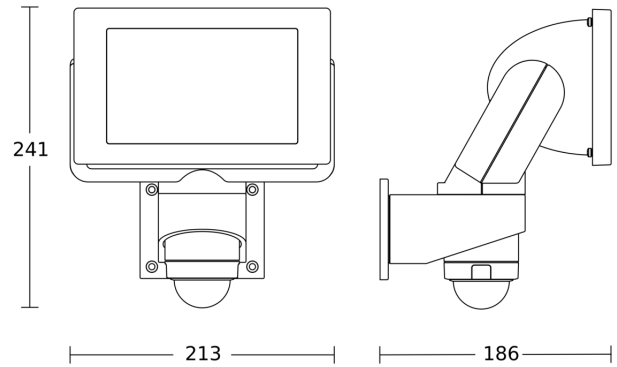


Detection Zone



Possible mounting height: 1,80 m - 4,00 m
Orange: radial
Black: tangential

Dimension Drawing



Circuit diagram

